

Yale



# Door Control

Door closers are used to ensure doors close automatically and can be used for fire control, security, privacy or environmental requirements.



# Contents



Y2600 Series Power Adjustable Hydraulic Door Closer

**Page 2**



Y2400 Series Power Adjustable Hydraulic Door Closer

**Page 4**



Y300 Series Hydraulic Door Closer

**Page 6**



Y300 OP Series Hydraulic Door Closer

**Page 8**

# Y2600 Series Power Adjustable Hydraulic Door Closer



The Yale Y2600 is the complete door closer in one. It will cater for a wide range of applications, with power adjustment from sizes 2 to 6, fire rated with built-in delayed action and back-check making this door closer ideally suited for exterior doors, high traffic areas and installations affected by adverse weather conditions.

Slim neat design will complement most applications.

Each pack contains "Z" Parallel Arm Bracket.

## **Adjustable Power**

Closer spring power is adjustable for sizes 2 to 6.

## **Backcheck**

Standard in this series.

## **Delayed Action**

Independent valve control between 180° - 80° closing. Ideally suited for disabled door applications.

## **Materials**

High pressure diecast aluminium body. Heat treated steel rack and pinion. Forged steel arms passivated against corrosion.

## **Overload Protection**

A built-in pressure relief valve protects the closer against rough use.

## **Slide Arm**

Available in this series.  
Aesthetically appealing with lower opening force.

## **Hold-open**

Available in this series.  
Hold-open between 80° - 180°. Order arm assembly separate.

## **Handing**

Non-handed.

## **Adjustment**

Two control valves (latching and closing).

## **Drop Plate**

Available in this series. Y2600 - 180SIL.

## **Finish**

Silver Baked Enamel (SIL)



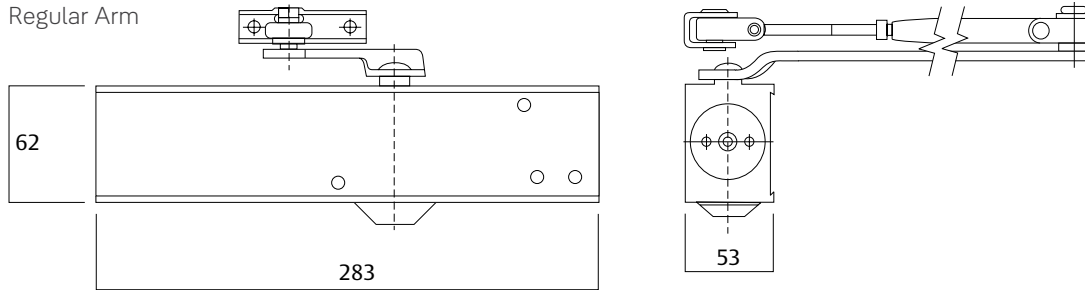
## **FIRE RATED**

This Yale Door Closer has been successfully fire tested up to 2 hours on fire door assemblies in accordance with Australian Standard AS1905.1:2005 - Part 1: Fire Resistant Door sets.

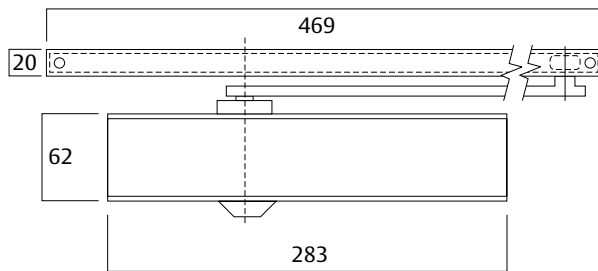
**NOTE:** Hold-open option is not approved on any fire door.

# Y2600 Series Power Adjustable Hydraulic Door Closer

Regular Arm



Slide Arm



## Ordering - Trade Pack

Description	Part Number
DOOR CLOSER ADJ 2-6	Y2600SIL
SLIDE ARM ASSEMBLY	Y2600-431SIL
HOLD OPEN ARM	Y2600-224SIL
DROP PLATE	Y2600-180SIL
"L" PARALLEL ARM BRACKET	Y2600-157SIL

# Y2400 Series Power Adjustable Hydraulic Door Closer



The Yale Y2400 Series door closer will cater for a wide range of applications and door sizes. Ideally suited to doors in high traffic areas. With power adjustment range from 2-4 strength.

Slim neat design will complement most applications.

Each pack contains "Z" Type Parallel Bracket.

## Adjustable Power

Closer spring power is adjustable for sizes 2-4.

## Materials

High pressure diecast aluminium body. Heat treated steel rack and pinion. Forged steel arms passivated against corrosion.

## Backcheck

Standard on this model.

## Mechanism

Rack and pinion design.

## Overload Protection

A built-in pressure relief valve protects the closer against rough use.

## Slide Arm

Available in this series.

Aesthetically appealing with lower opening force.

## Hold-open

Available in this series. Hold-open between 80° - 180°.

Order arm assembly separate.

## Handing

Non-handed. Suitable for left or right hand doors.

## Adjustment

Two control valves (latching and closing).

## Drop Plate

Available in this series. Y2400-180SIL.

## Finish

Silver Baked Enamel (SIL)

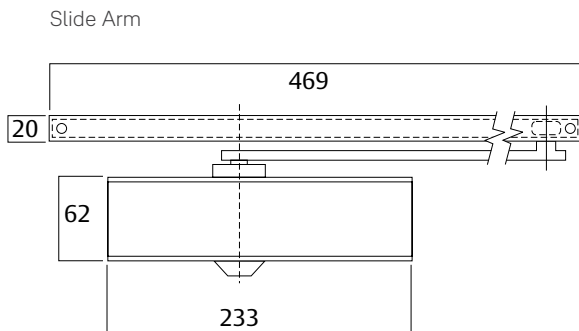
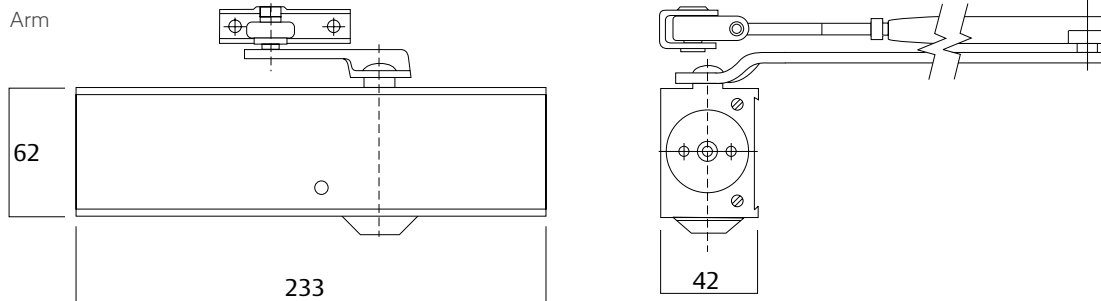


## FIRE RATED

This Yale Door Closer has been successfully fire tested up to 2 hours on fire door assemblies in accordance with Australian Standard AS1905.1:2005 - Part 1: Fire Resistant Door sets.

**NOTE:** Hold-open option is not approved on any fire door.

# Y2400 Series Power Adjustable Hydraulic Door Closer



## Ordering - Trade Pack

Description	Part Number
DOOR CLOSER SIZE 2-4	Y2400SIL
SLIDE ARM ASSEMBLY	Y2400-431SIL
HOLD OPEN ARM	Y2400-224SIL
DROP PLATE	Y2400-180SIL
"L" PARALLEL BRACKET	Y2400-157SIL

# Y300 Series Hydraulic Door Closer



The Yale Y300 Series provides a full range of economy surface mounted door closers which covers a wide range of applications. Three Power sizes to suit most pull side applications where economy and ease of installation is required.

#### **Power Sizes**

Closer fixed power size range of 3, 4, 5.

#### **Materials**

High purity die-cast aluminium body. Heat treated steel rack and pinion. Stable hydraulic oil for consistent climatic operation and constant lubrication. Forged steel arms passivated against corrosion.

#### **Mechanism**

Rack and pinion design.

#### **Hold-open**

Available in this series.

Hold-open angle between 80° - 180°.

Order arm assembly separate.

#### **Handing**

Non-handed. Suitable for left or right hand doors.

#### **Adjustment**

Independent valves control closing and latching speeds.

Closing speed 180° - 10°.

Latching speed 10° - 0°.

#### **Offset Parallel Arm**

Available in this series.

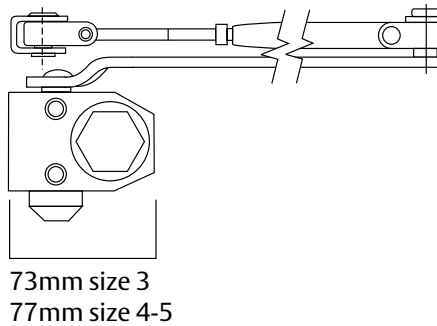
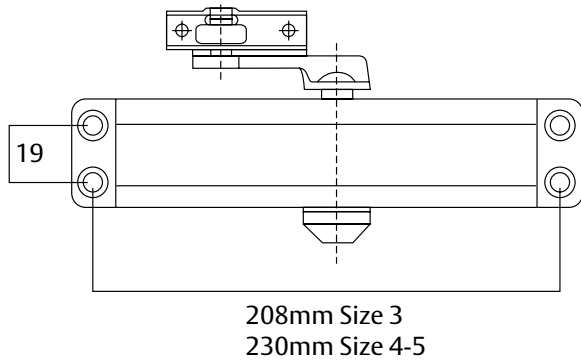
Suits up to 13mm door stop.

#### **Finish**

Silver Baked Enamel (SIL)



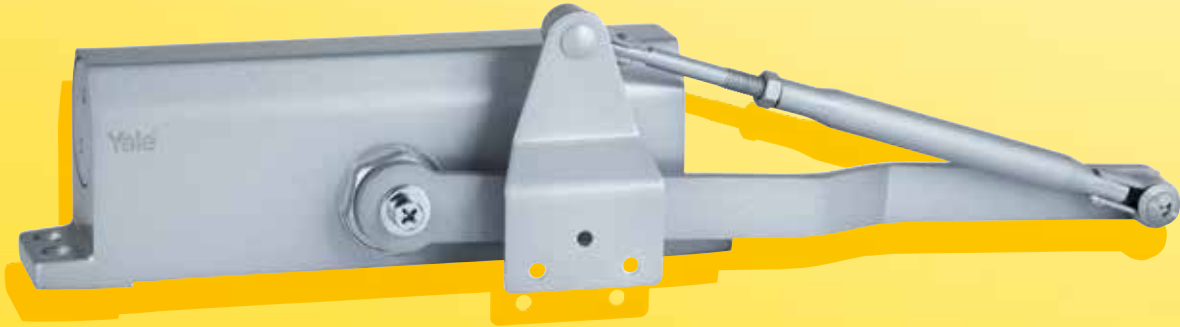
# Y300 Series Hydraulic Door Closer



## Ordering - Trade Pack

Part Number	Description
Y300-STSil	SIZE 3 STANDARD ARM DOOR CLOSER
Y400-STSil	SIZE 4 STANDARD ARM DOOR CLOSER
Y500-STSil	SIZE 5 STANDARD ARM DOOR CLOSER
Y2400-224SIL	HOLD OPEN ARM ASSY TO SUIT Y300-STSil
Y2600-224SIL	HOLD OPEN ARM ASSY TO SUIT Y400-STSil, Y500-STSil

# Y300 OP Series Hydraulic Door Closer



The Yale Y300 OP Series provides a full range of economy surface mounted door closers which covers a wide range of applications. Three Power sizes to suit most push side applications where economy and ease of installation is required.

## **Power Sizes**

Closer fixed power size range of 2, 3, 4.

## **Materials**

High purity die-cast aluminium body. Heat treated steel rack and pinion. Stable hydraulic oil for consistent climatic operation and constant lubrication. Forged steel arms passivated against corrosion.

## **Mechanism**

Rack and pinion design.

## **Handing**

Non-handed. Suitable for left or right hand doors.

## **Adjustment**

Independent valves control closing and latching speeds.

Closing speed 180° - 10°.

Latching speed 10° - 0°.

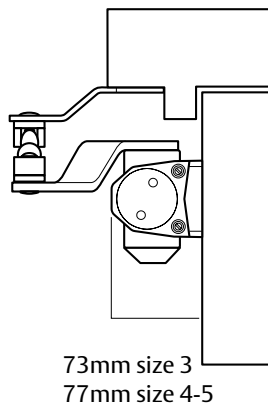
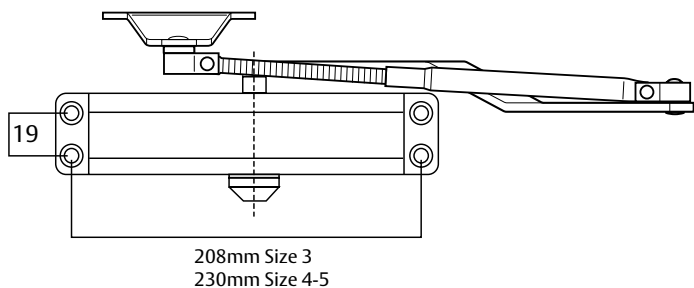
## **Offset Parallel Arm**

Suits up to 13mm door stop.

## **Finish**

Silver Baked Enamel (SIL)

# Y300 OP Series Hydraulic Door Closer



## Ordering - Trade Pack

Description	Part Number
SIZE 2 OFFSET PARALLEL ARM DOOR CLOSER	Y300-OPSIL
SIZE 3 OFFSET PARALLEL ARM DOOR CLOSER	Y400-OPSIL
SIZE 4 OFFSET PARALLEL ARM DOOR CLOSER	Y500-OPSIL





**ASSA ABLOY Australia Head Office**

ASSA ABLOY Australia Pty Limited  
235 Huntingdale Road, Oakleigh  
Victoria, 3166 Australia

1300 LOCK UP (1300 562 587)  
customerservice.au@assaabloy.com  
assaabloyopeningsolutions.com.au

**yalehome.com.au**



**Disclaimer**

Whilst every effort has been made to ensure that the information (including product images and drawings) contained in this brochure is accurate at the time of publication, ASSA ABLOY Australia Pty Limited ("ASSA ABLOY") recommends that you consult ASSA ABLOY or its agents prior to placing an order to ascertain current information on specific products, as ASSA ABLOY reserves the right to make changes without notice. ASSA ABLOY will not be liable for any injury, loss or damage whatsoever, arising from any errors or omissions in the information contained in the brochure or arising from the use or application of the information contained herein. © 2020 copyright by ASSA ABLOY All rights reserved

ASSA ABLOY Australia Pty Limited ABN 90 086 451 907 © 2020\_07 | MC11361

