



Digital Locks

Simple to use, have complete control on how you unlock your door.

Contents

Door Locks



Keyless Digital
Deadlatch

Page 2



Digital
Leverset

Page 4

Keyless Digital Deadlatch Upgrade Kit



The Yale Keyless Digital Deadlatch Upgrade Kit gives you freedom to secure your home without the need for a key. Connecting the old with the new; using your existing mechanical lock* you can upgrade to a digital solution allowing you complete control of how you unlock your door.

Features & Specifications

- Using your current 60mm backset mechanical deadlatch**, upgrade to a digital lockset
- Simple installation
- Supports up to 20 users, via PIN codes, key tags, and key cards
- 4 x AA Alkaline Batteries
- 9V Battery Backup
- Time Controlled 24 hour PIN codes for visitors
- Enhanced encrypted security to prevent unauthorised access
- Anti-tamper alarm protected by an 80 dB internal alarm

*Compatible with Lockwood 001 or 002 Series mechanical deadlatch or Whitco W75 Series.

**Deadlatch lockset sold separately.

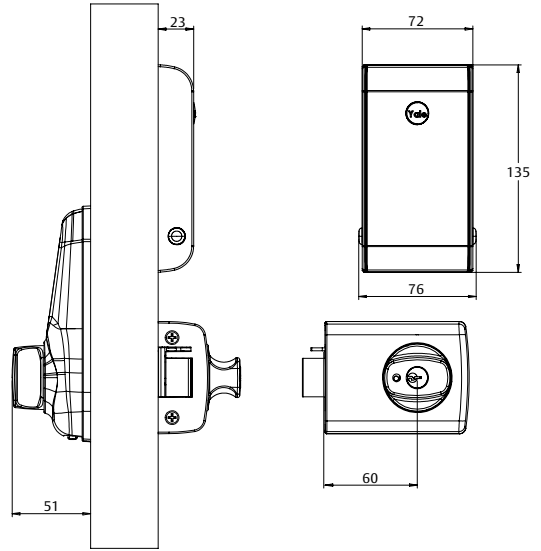
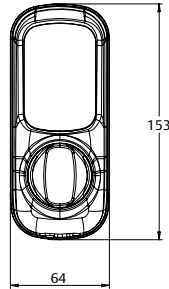
Keyless Digital Deadlatch Upgrade Kit



Exterior



Interior



Note: Lockwood 001 Series Mechanical Deadlatch shown for reference only and is sold separately.

Description	Part Number	Barcode
Yale Keyless Digital Deadlatch Upgrade Kit Chrome	YRD01KDL-NR-CP	9348313031504

Specification	
Backset	60mm
Battery Type	AA Alkaline
Body/Case Material	Zinc Alloy (Keypad) & ABS Plastic (Battery Pack)
Bolt Type / Function	Deadlatch (sold separately)
Door Thickness Range	32mm to 45mm
Lock Type	Deadlatch
Standard Finish	Chrome Plate
Warranty / Guarantee	10 years mechanical, 1 year electronic
Operational Temperature Range	-25° C to 60° C
Operating Humidity	Up to 95%

Approvals  Regulatory Compliance Mark (RCM) Compliant

Digital Leverset



The Yale Digital Leverset is an innovative locking solution suitable for residential entry and interior doors. This sleek digital lock will complement your door and keep your home secure with the convenience of a digital touchscreen.

A versatile solution, offering passage mode, low battery alert and multi user access (up to 100 key fobs); it has a dual security setting and key override in case of emergency situations.

Features & Specifications

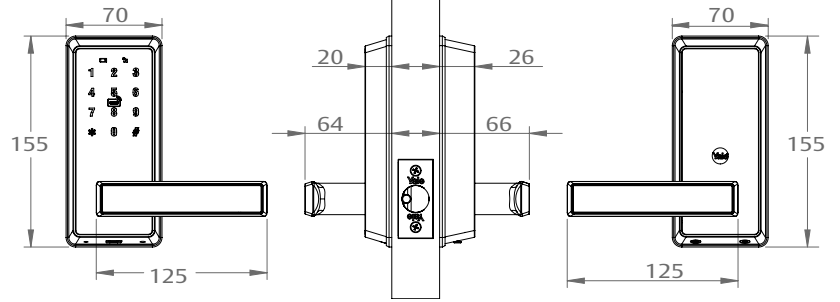
- Supports up to 100 radio frequency key tags
- PIN code (6 to 10 Digits)
- Suits a standard 54mm timber door preparation
- High security mode
- Passage mode
- 4 x AAA Alkaline Batteries
- Low battery alert
- Mechanical key override

Digital Leverset




Exterior

Interior



Description	Part Number	Barcode
Digital Leverset Left Handing Black	YDLL/BLK	9348313022052
Digital Leverset Right Handing Black	YDLR/BLK	9348313022069
Tubular Deadlatch 70mm Backset	Y530-222SC	9348313033041
Spare Key Fob, Qty. 2	YDLFOB	9348313022151

Specification	
Backset	60mm as supplied 70mm optional (order p/n Y530-222SC)
Battery type	AAA Alkaline
Body/Case Material	Zinc Alloy
Door Thickness Range	35mm to 51mm
Lock Type	Leverset
Standard Finish	Matt Black
Warranty / Guarantee	10 years mechanical, 1 year electronic
Operational Temperature Range	-25° C to 50° C
Operating Humidity	Up to 90%
Approvals	 Regulatory Compliance Mark (RCM) Compliant

ASSA ABLOY Australia Head Office

ASSA ABLOY Australia Pty Limited
235 Huntingdale Road, Oakleigh
Victoria, 3166 Australia

1300 LOCK UP (1300 562 587)
customerservice.au@assaabloy.com
assaabloyopeningsolutions.com.au

yalehome.com.au



Disclaimer

Whilst every effort has been made to ensure that the information (including product images and drawings) contained in this brochure is accurate at the time of publication, ASSA ABLOY Australia Pty Limited ("ASSA ABLOY") recommends that you consult ASSA ABLOY or its agents prior to placing an order to ascertain current information on specific products, as ASSA ABLOY reserves the right to make changes without notice. ASSA ABLOY will not be liable for any injury, loss or damage whatsoever, arising from any errors or omissions in the information contained in the brochure or arising from the use or application of the information contained herein. © 2020 copyright by ASSA ABLOY All rights reserved

ASSA ABLOY Australia Pty Limited ABN 90 086 451 907 © 2020_07 | MC11361

